

**45RFE
PUMP & PUMP COVER CHANGE**

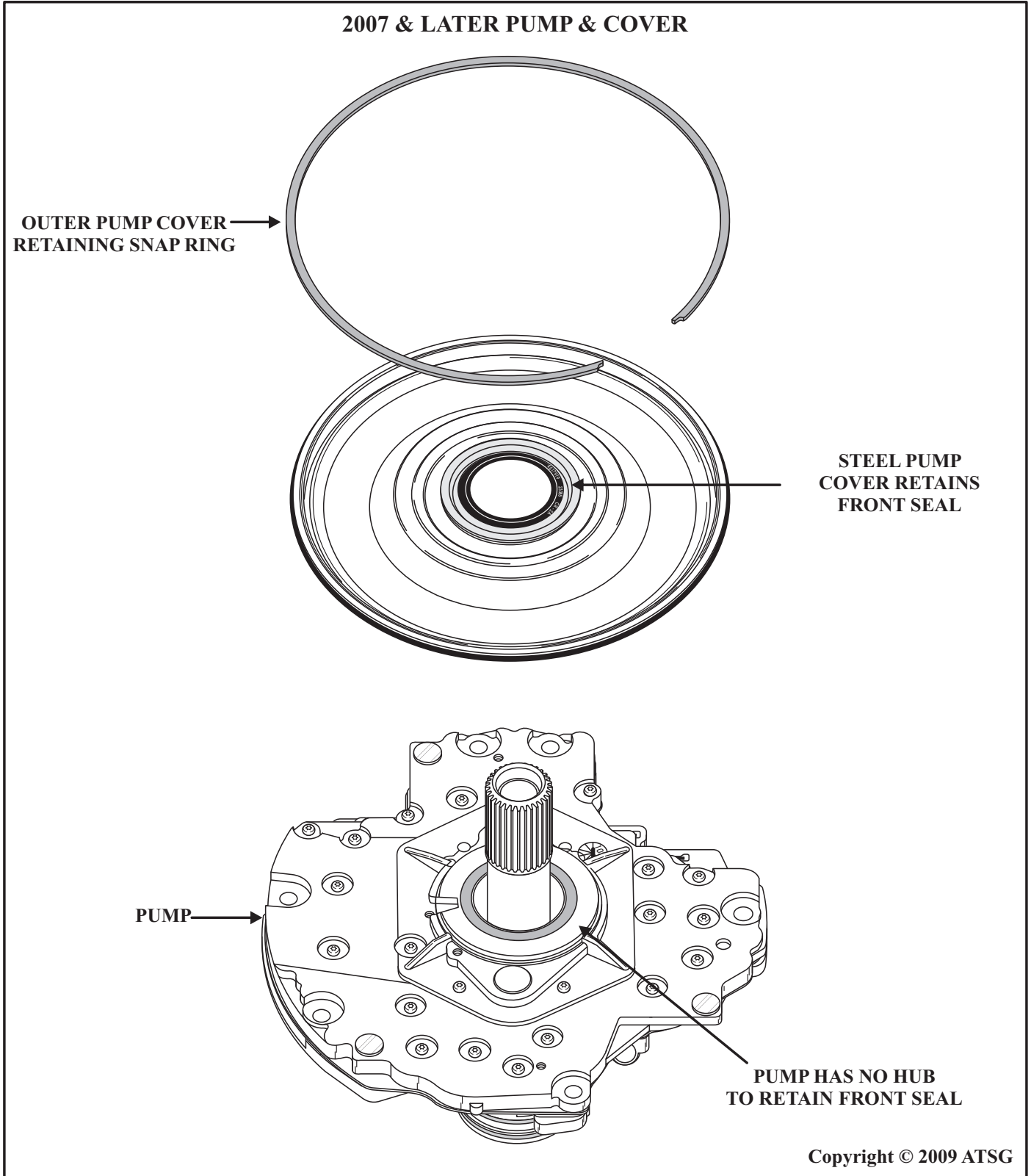


Figure 2