

5R55W/S

WATER IN THE TRANSMISSION

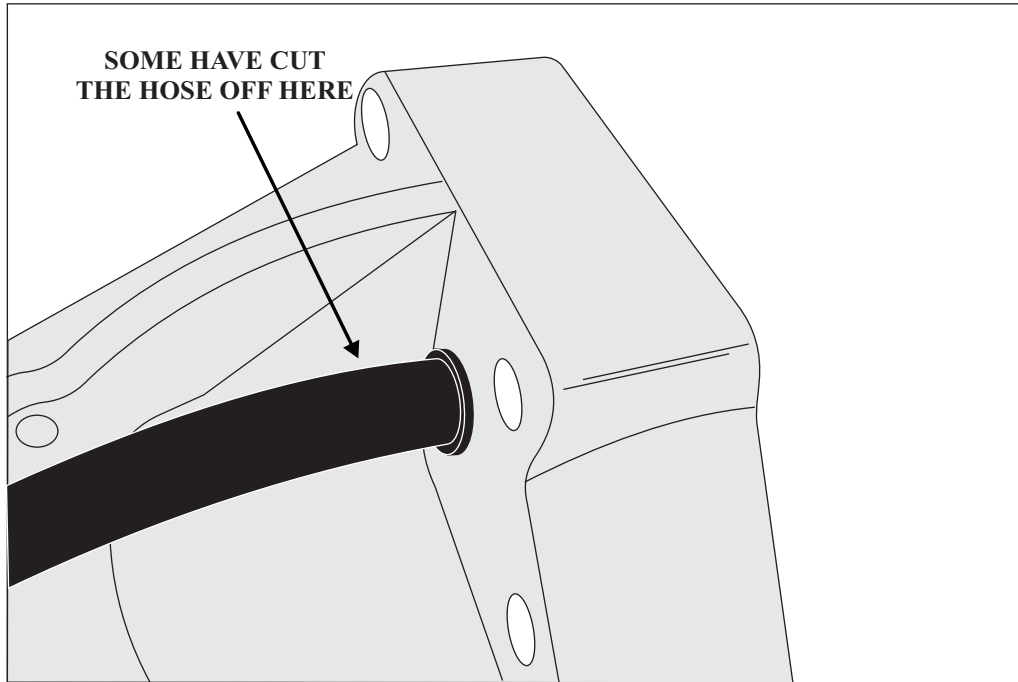


Figure 3

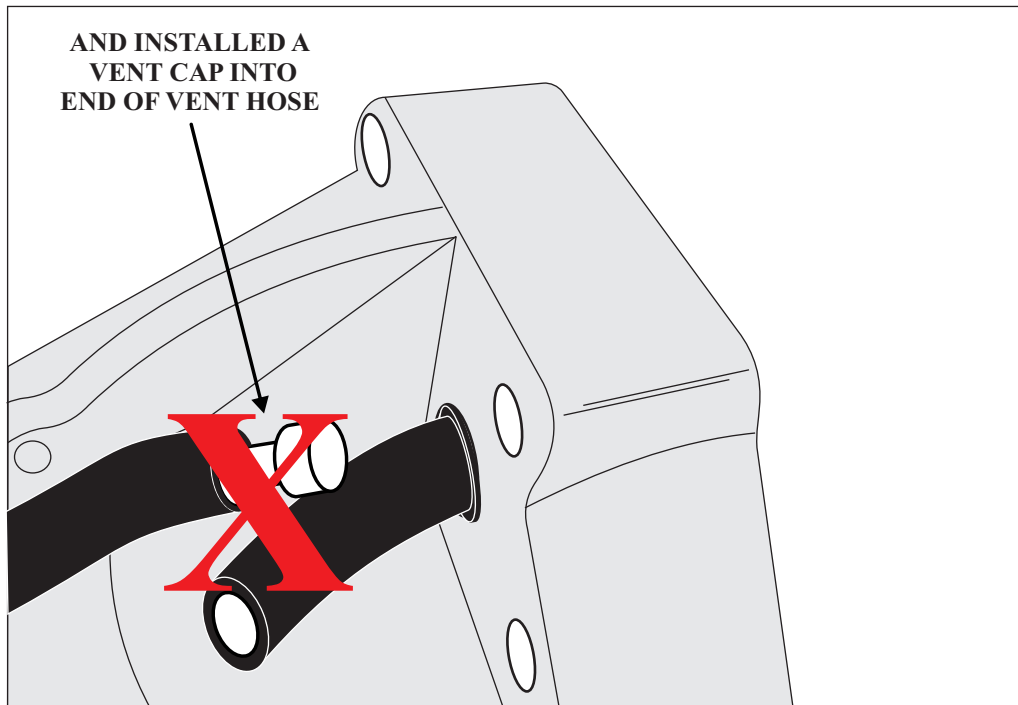


Figure 4